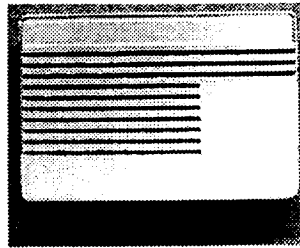


Hardwire Interior Siren-Dual Speaker

Document Number: 46-622-A

April 4, 1993



60-528

Installation Instructions

Product Summary

This product consists of two speakers: one large and one small in a plastic enclosure. The dual speaker is designed to be used with the CareTaker *Plus* installa-

tions where voice feedback is requested or required. When installed, the user will receive voice feedback for any command entered as well as on alarms.

Tools Needed

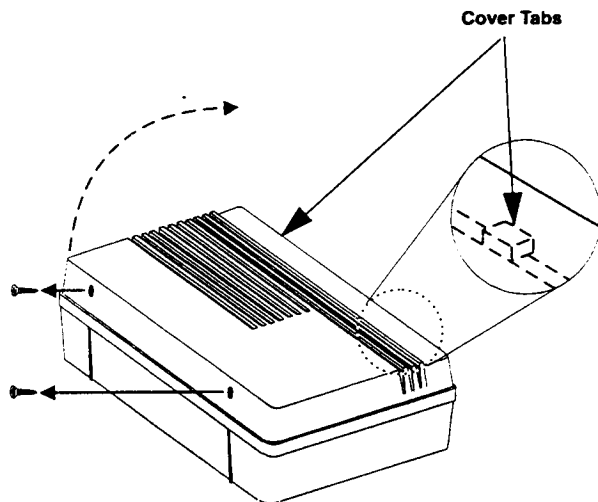
To install the dual speakers you will need the following tools:

- A Phillips head screw driver

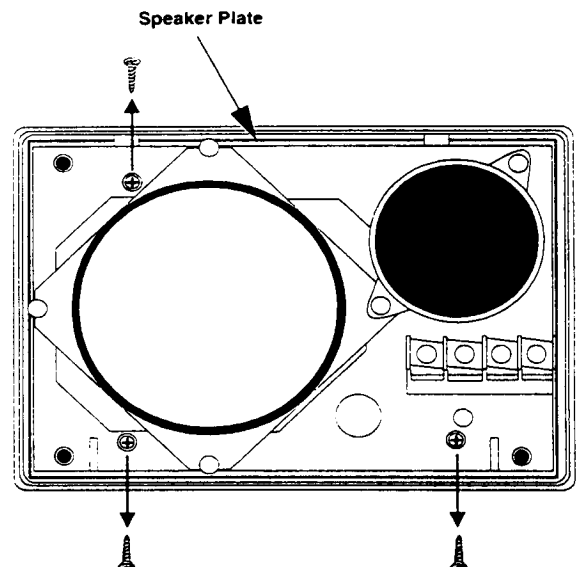
- A small handheld level
- A drill, depending on the surface the back-box will be mounted on

Installing the Dual Speaker

- 1) Using 22-gauge or greater 4-conductor stranded wire, run cable from the Central Processing Unit (CPU) to the dual speaker location.
- 2) Remove the two cover screws from the bottom of the dual-speaker enclosure.
- 3) Gently remove the cover by rotating the bottom edge up and off the cover tabs.

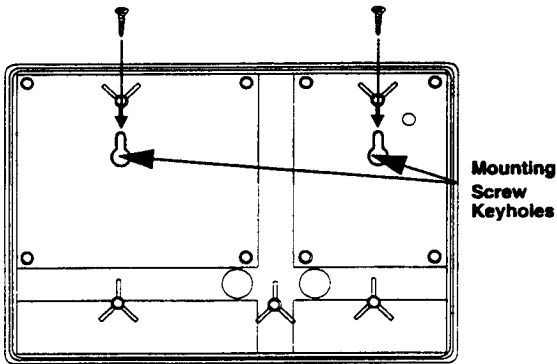


- 4) Remove the three speaker plate screws.



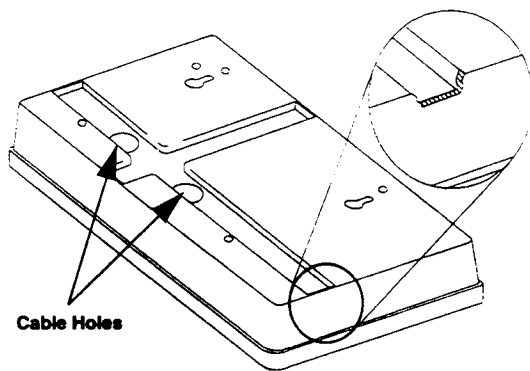
- 5) Lift off speaker plate off of the back box and set it aside.

- 6) Hold the back box to the mounting location; when level, mark the screw locations through the mounting screw keyholes.



- 7) Screw in the two mounting screws (provided) at the marked locations, and use the plastic anchors provided, if necessary.
- 8) Feed the cable through one of the cable holes in the back box.

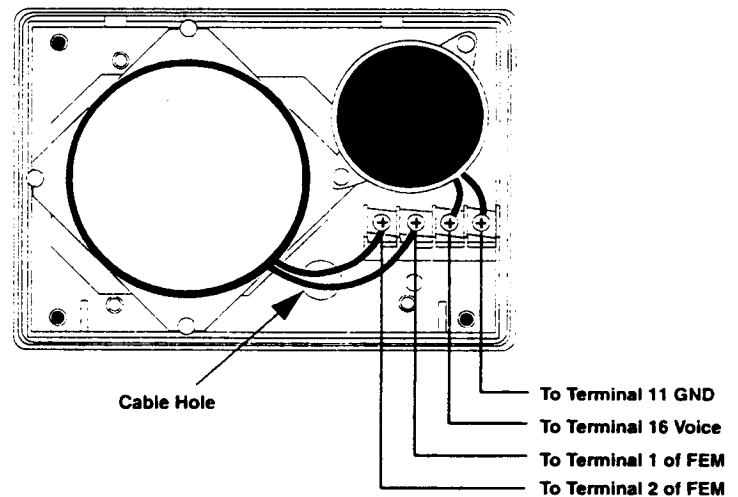
Note: Channels and knockouts are provided on the back of the back box for cable runs along the wall surfaces.



- 9) Align the back box mounting screw key holes with the two mounting screws and slide down.
- 10) Level the back box, and tighten the mounting screws.
- 11) Feed the cable through the large hole on the speaker plate.
- 12) Replace the three speaker screws.
- 13) Strip back the 4-conductor cable and the individual wires.
- 14) Connect the larger speaker to the first two terminals and the smaller speaker to the last two terminals.

Note: When the larger speaker is connected to terminals one and two of the FEM, it activates for fire and burglary alarms only. The smaller speaker activates for both status and alarms.

- 15) Connect the 4-conductor as shown.



Notes

Any additional speaker connected across terminals one and two of the FEM must be connected in series.

Specifications

Dimensions: 6 ⁷/₈" x 4 ⁷/₈" x 2 ⁷/₈" deep • Speaker Sizes: One 3 ¹/₂" and One 2" 8 ohm speakers

Compatibility: This product should be used with CareTaker *Plus* systems that use the Feature Expansion Module (FEM) only.



Interactive Technologies, Inc
 2266 North Second Street
 North St. Paul, MN 55109
 (612) 777-2690
 Technical Services (800) 777-2624